

A

B

C

D

E

F

G

H

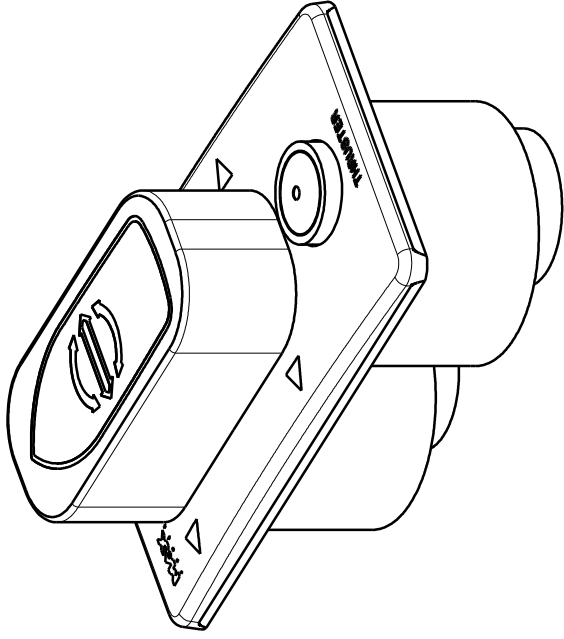
4

3

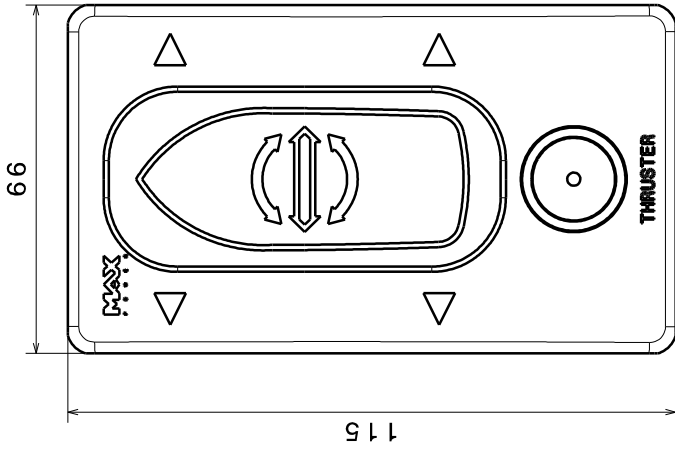
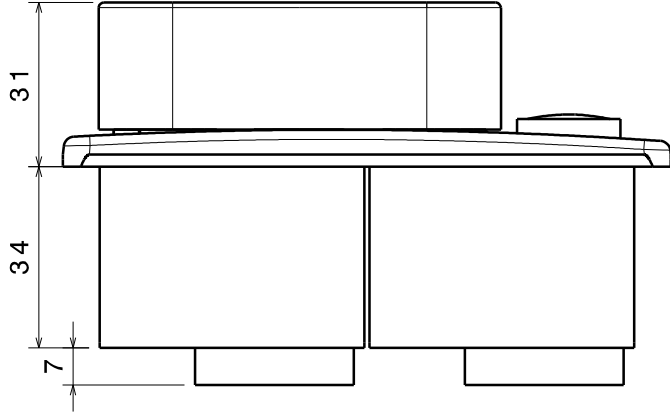
2

1

EN CAS DE DOUTE, MERCI DE NOUS CONTACTER
IN CASE OF DOUBT, PLEASE ASK.



MPOP8069



This drawing is our property.
It can't be reproduced
or communicated without
our written agreement.

DRAWN BY	DATE
SB	27/02/2009
CHECKED BY	DATE
XXX	xxx
DESIGNED BY	DATE
XXX	xxx

NOTA :
Dimensions exprimées en mm
! Attention aux modifications d'échelles lors de l'impression !

NOTE :
Dimensions in mm
! Be careful to scales modifications when printing !

MAX POWER

DRAWING TITLE

MPOP8069-BOAT CONTROL PANEL
general dimensions

SIZE	DRAWING NUMBER	REV
A3	XXX	A

SCALE	1:1	WEIGHT (kg)	-	SHEET	1/1
-------	-----	-------------	---	-------	-----

H

G

F

E

D

C

B

A